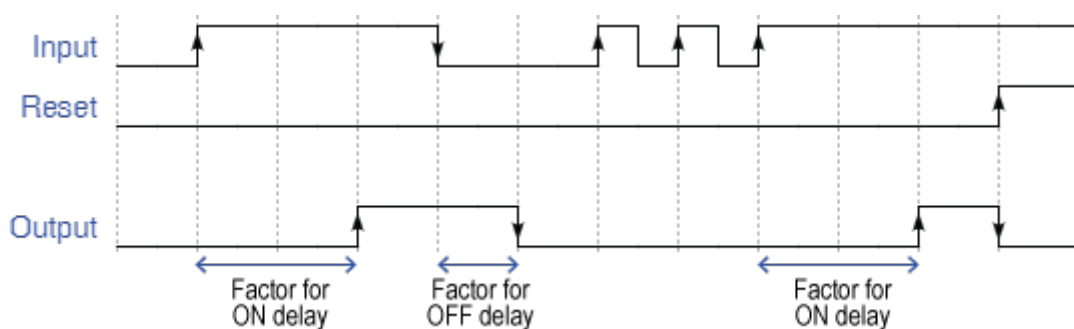


# On/Off Delay



The On/Off Delay node, for every rising edge of the **Input** connector signal, generates a rising edge on the **Output** connector after a delay specified by the **Factor for ON delay** property. When the **Input** signal has a falling edge, the node generates a falling edge on the **Output** connector after a delay specified by the **Factor for OFF delay** property. When the value of the **Reset** connector is 1, the node immediately sends 0 to the **Output** connector.



Behaviour of On/Off Delay

From: <http://www.thinknx.com/wiki/> - **Learning Thinknx**

Permanent link: [http://www.thinknx.com/wiki/doku.php?id=lm\\_timer\\_onoffdelay](http://www.thinknx.com/wiki/doku.php?id=lm_timer_onoffdelay)

Last update: **2019/03/20 17:04**

